

MODULAR FLOW CONTROL VALVE



Technical Specification

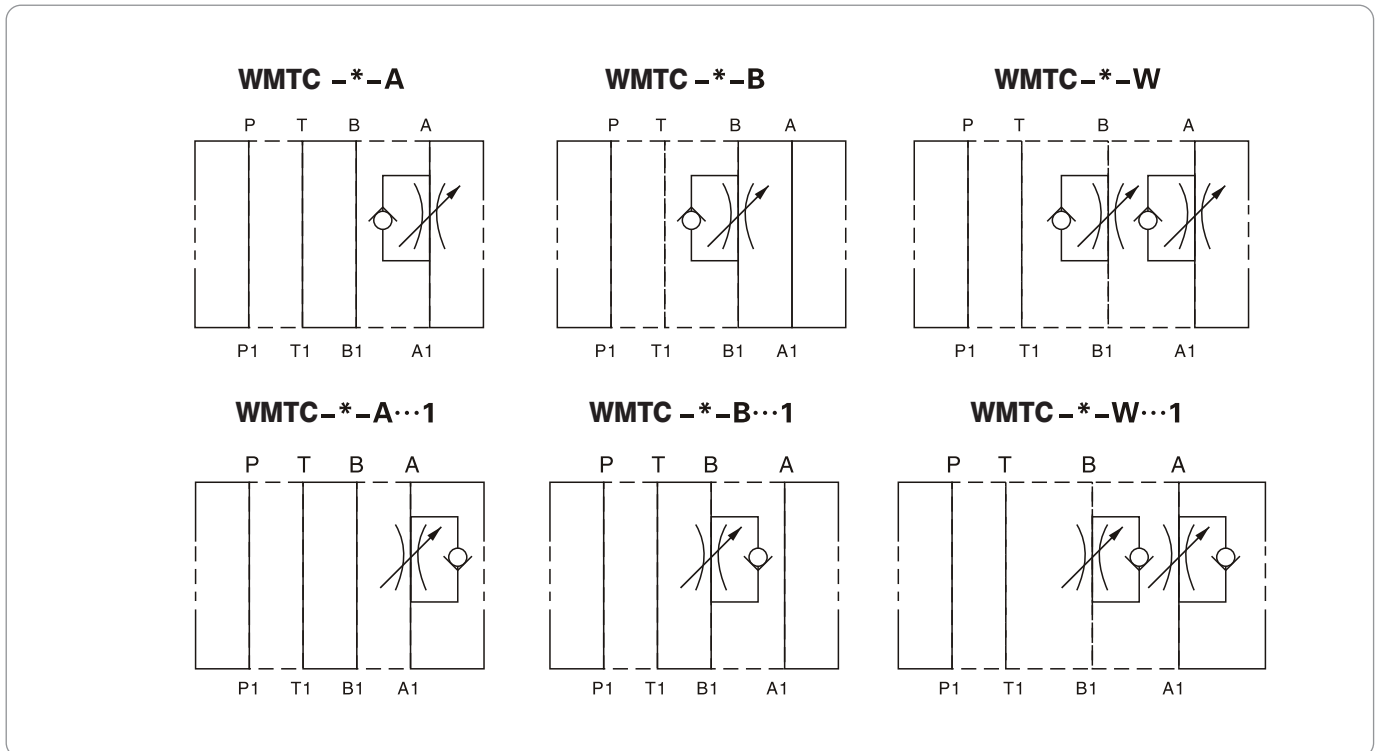
Specification	02	03
Maximum working pressure (Bar)	315	
Max. Flow (L/min)	30	50
Working fluid	Mineral oil; phosphate-ester	
Fluid temp. (°C)	-20~70	
Viscosity (mm²/s)	2.8~380	
Working press (Bar)	a: 0.50	
Cleanliness	The maximum allowable cleanliness of the oil should be according to 9th degree of Standard NAS 1638. It is suggested that the minimum filter rating should be $\beta_{10} \geq 75$.	

Model Instruction

WMTC-* * -* * / * 70 *

Modular flow control valve		Remarks
Specification 02 : DN6 03 : DN10		Serial number
A : A Pipeline B : B Pipeline W : AB Pipeline		Seal material Omit : NBR Seals V : FPM Seals
Opening pressure a 0.50 Bar		Throttle direction Omit : meter out 1meter in

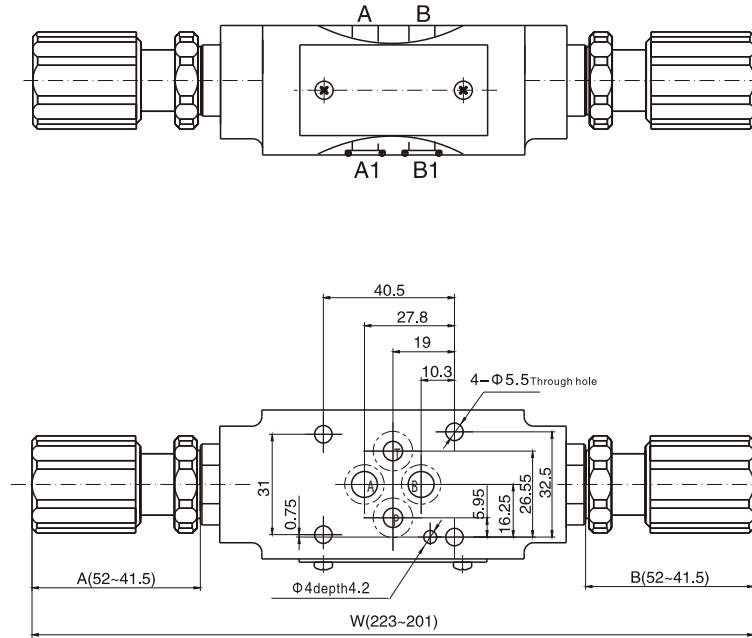
Code Symbol



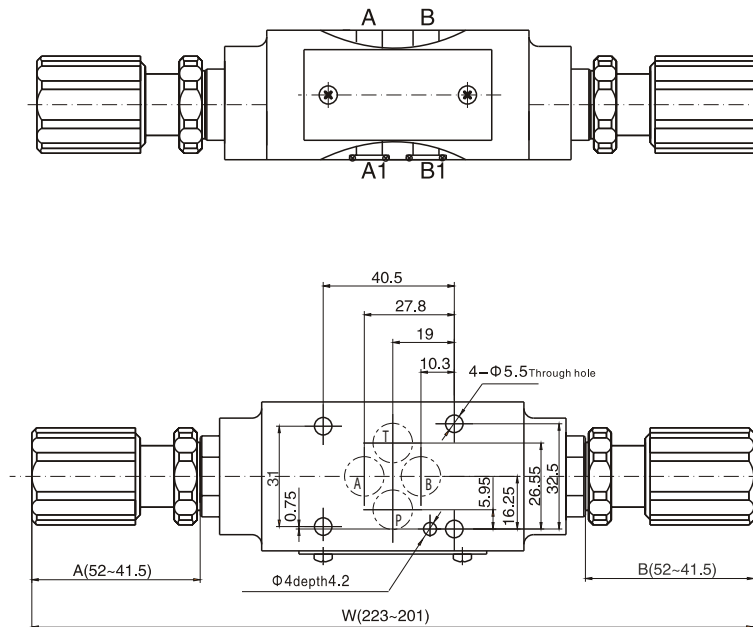
MODULAR FLOW CONTROL VALVE

External Dimensions

WMTC-02- ...



WMTC-02- ... 1/ ...

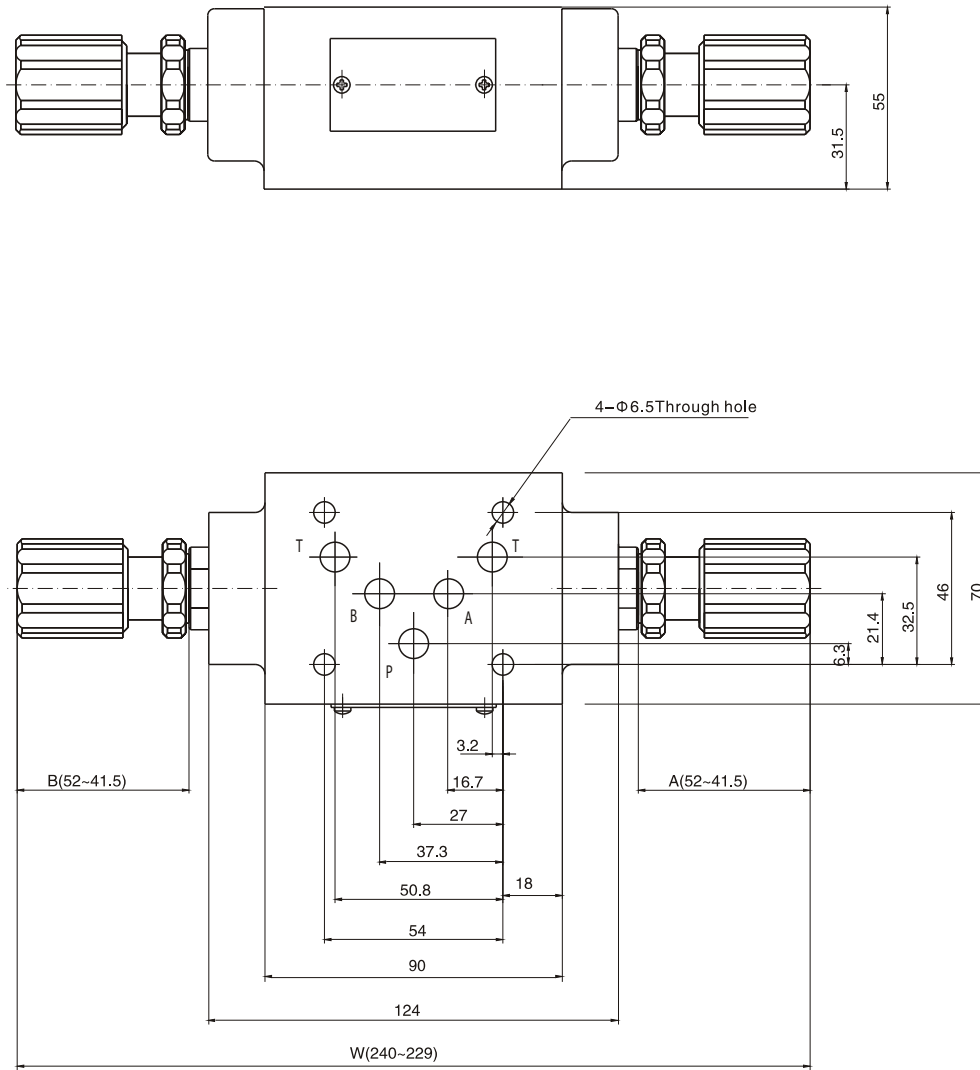


Notice: The surface, connecting with the valve, should be Ra0.8 roughness, and 0.01/100mm flatness.

MODULAR FLOW CONTROL VALVE

External Dimensions

WMTC-03- ...



Notice: The surface, connecting with the valve, should be Ra0.8 roughness, and 0.01/100mm flatness.

